

Three head drainage router:
With x1 top head variable angle,
x2 Front pneumatic clamps,
x1 Large air oil regulator,
x4 Flip stops + support bars,
x3 Heavy duty air motors

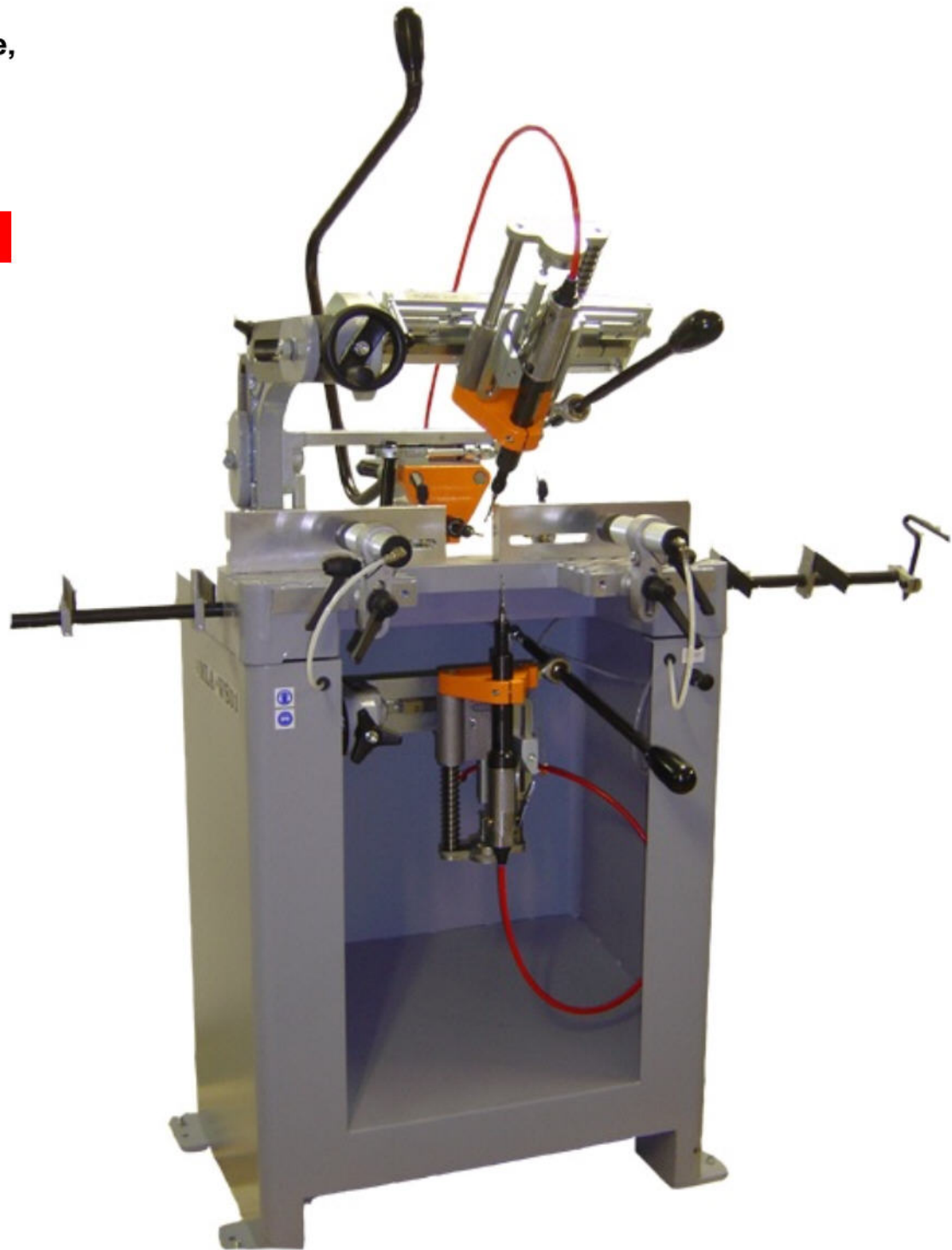
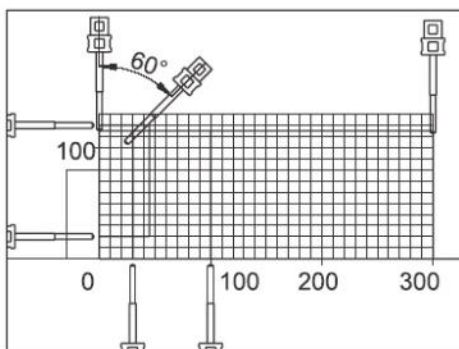
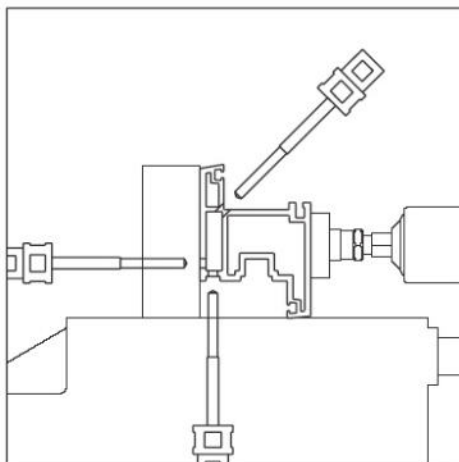
ALSO AVAILABLE

MLA WS11

SINGLE HEAD DRAINAGE ROUTER
Variable angle
Including stand

MLA WS21

TWO HEAD DRAINAGE ROUTER
x1 Head Variable angle
Including stand



www.antiferrencews.co.uk



6-8 Bar

