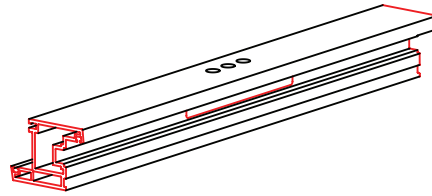
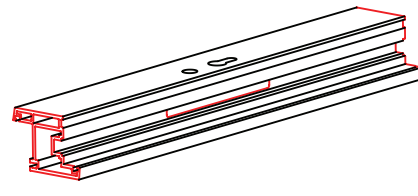


1) Lock cut-out on aluminium profile



2) Cut-out for handle and its mechanism on steel reinforced pvc

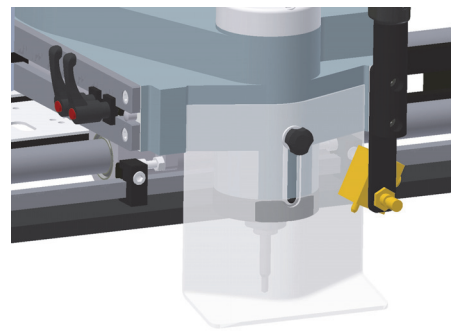


3) Lock cut-out on pvc profile

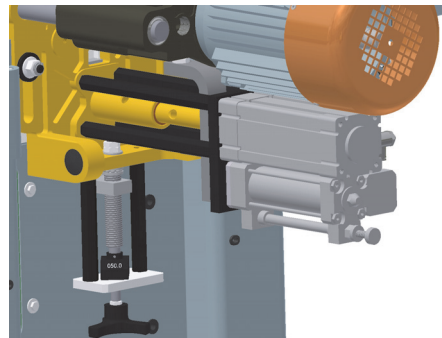
## Copy router for aluminium and pvc profiles

With a manual vertical milling unit and a horizontal drilling unit with manual (A23) or oil-pneumatic (A25) feed. Conceived to carry out the milling with the vertical unit and the triple drilling with the horizontal unit on aluminium and steel reinforced pvc for the inserting of a window handle with just one clamping without turning the profile. A wide range of working operations can be carried out with the vertical milling unit (see working examples on the reverse).

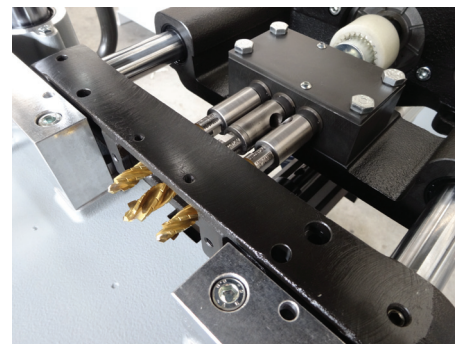
### Optional equipment



1) Coolant mist-sprayer: needed to work aluminium



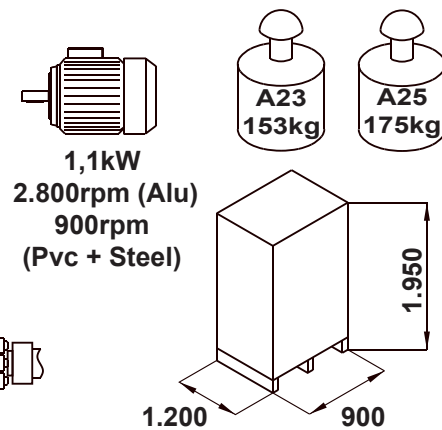
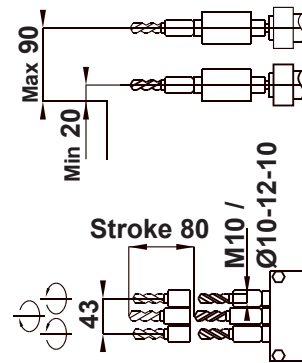
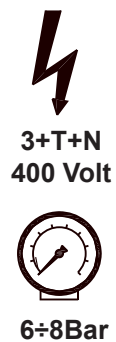
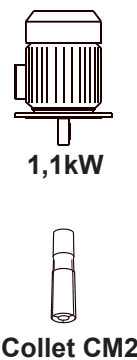
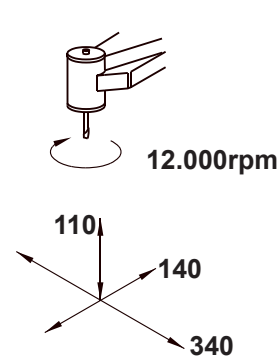
2) Display of the drilling unit position with relation to the working table



3) High quality tools to mill and drill aluminium and pvc

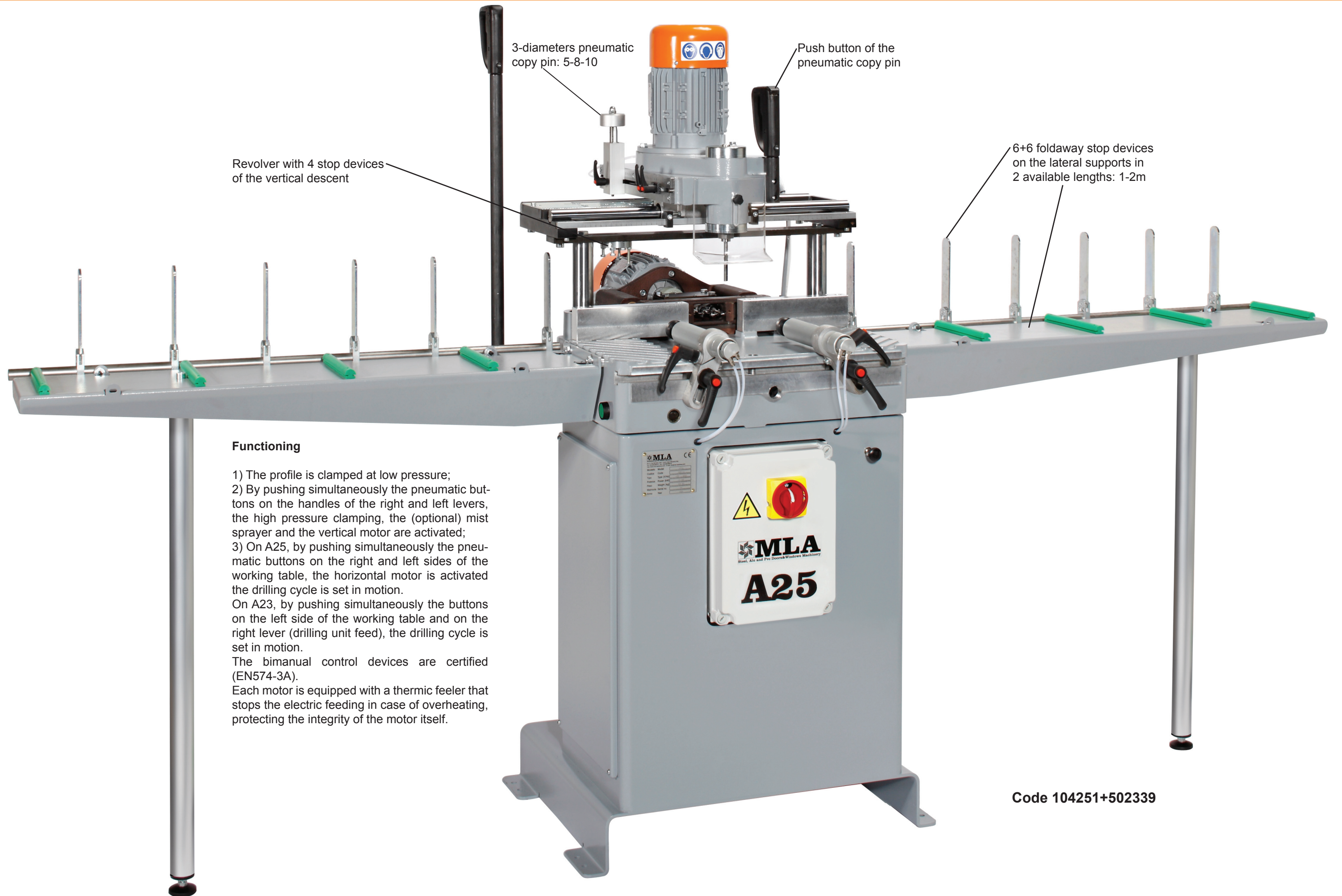


CE



The Company reserves the right to amend and improve its products without notice.

Code 104231S  
(104231+502240+502411)



Revolver with 4 stop devices of the vertical descent

3-diameters pneumatic copy pin: 5-8-10

Push button of the pneumatic copy pin

6+6 foldaway stop devices on the lateral supports in 2 available lengths: 1-2m

#### Functioning

- 1) The profile is clamped at low pressure;
  - 2) By pushing simultaneously the pneumatic buttons on the handles of the right and left levers, the high pressure clamping, the (optional) mist sprayer and the vertical motor are activated;
  - 3) On A25, by pushing simultaneously the pneumatic buttons on the right and left sides of the working table, the horizontal motor is activated the drilling cycle is set in motion.  
On A23, by pushing simultaneously the buttons on the left side of the working table and on the right lever (drilling unit feed), the drilling cycle is set in motion.
- The bimanual control devices are certified (EN574-3A).  
Each motor is equipped with a thermic feeler that stops the electric feeding in case of overheating, protecting the integrity of the motor itself.

Code 104251+502339