



MLA

Steel, Alu and Pvc Doors&Windows Machinery



WS30

Version 1.5 - 09/2019

Manual water slot milling machine for pvc profiles



Code 100830



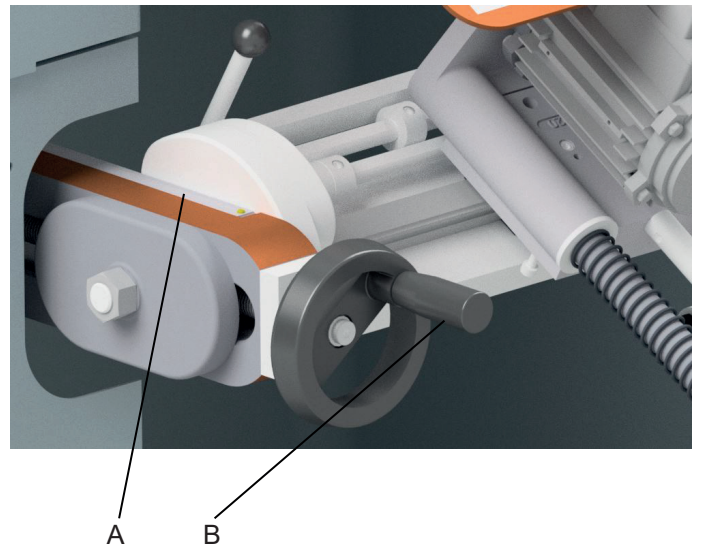
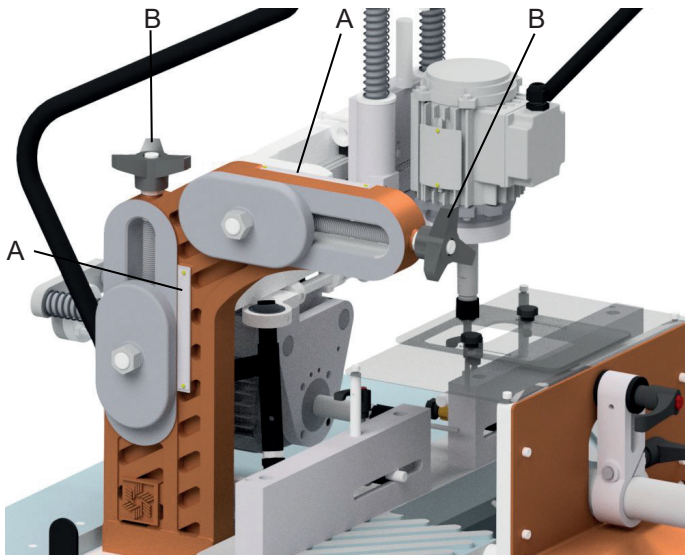
The water slot milling machine **WS30** consists of 3 milling units with high frequency electric spindles, all driven by inverter: vertical M1, horizontal M2 and adjustable lower M3.

The approaching movement to the profile is on chrome plated and grinded bars, whereas the milling movement is on sliding shoes/linear guides.

Functioning:

1) by pushing the pedal, the clamping and unclamping of the profile are activated thanks to a short stroke cylinder;

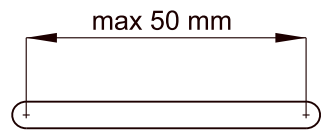
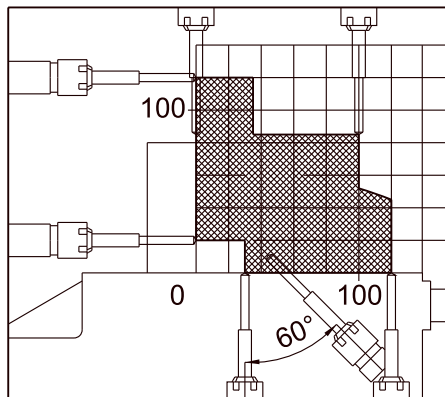
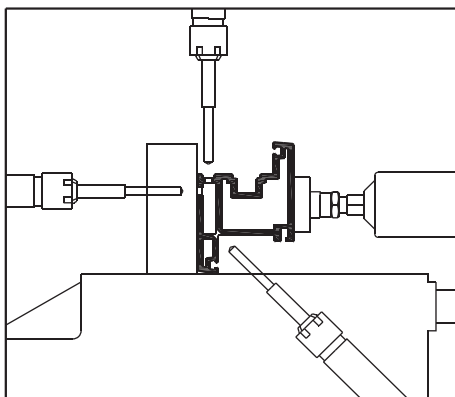
2) by pushing the bimanual start button on the electrical board and the button on the control lever of the unit that needs to be activated, the motor starts rotating. It is necessary to keep both buttons pressed during the whole milling cycle.



The units can be positioned with ease and precision thanks to the wide crank-handles (B) that, through trapezoidal screws (A), make the carriages glide along L-shaped guideways. Both guideways and carriages are obtained from robust iron castings.

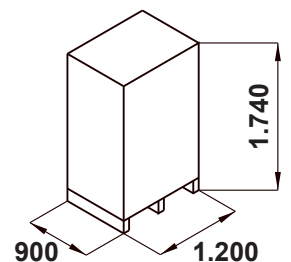
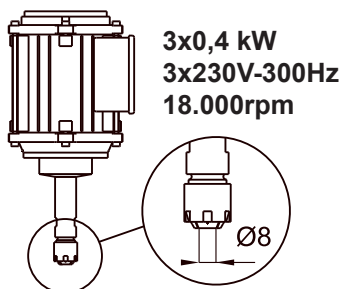
Each unit is provided with its own graduated ruler.

The approaching and entry stroke of all units is 50mm long and can be easily regulated by a comfortably reachable revolver with 3 stop devices.



The profile positioning has been designed to have the fewest regulations possible.

The milling stroke can be regulated from 0÷50mm.



The Company reserves the right to amend and improve its products without notice.